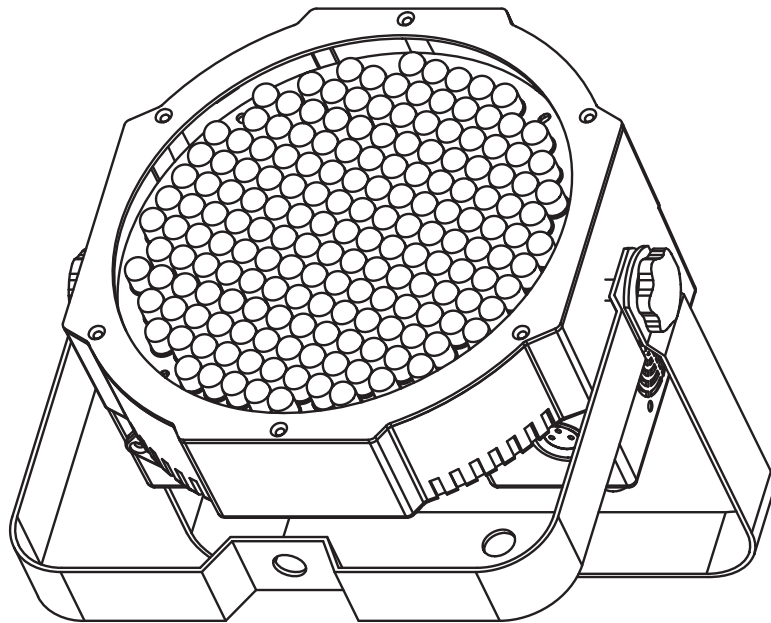




MEGA GO PAR64 RGBA



User Instructions

MEGA GO PAR64 RGBA

Introduction

Unpacking: Thank you for purchasing the MEGA GO PAR64 RGBA by ADJ Products, LLC. Every MEGA GO PAR64 RGBA has been thoroughly tested and has been shipped in perfect operating condition. Carefully check the shipping carton for damage that may have occurred during shipping. If the carton appears to be damaged, carefully inspect your fixture for any damage and be sure all accessories necessary to operate the unit has arrived intact. In the case damage has been found or parts are missing, please contact our toll free customer support number for further instructions. Do not return this unit to your dealer without first contacting customer support.

Introduction: The MEGA GO PAR64 RGBA is a rechargeable lithium battery powered, DMX intelligent, LED par fixture. This unit give you the freedom to set up your fixture where ever you wish without the restrictions of power. The built-in battery will keep charge for up to 8 hours (full on) from a full, single charge. This fixture can be used in a stand alone mode or connected in a Master/Slave configuration. This wash has five operating modes: Sound Active mode, Auto Run mode, RGB mode, Static Color mode, and DMX control mode.

Customer Support: ADJ Products, LLC provides a customer support line, to provide set up help and to answer any question should you encounter problems during your set up or initial operation. You may also visit us on the web at www.adj.com for any comments or suggestions. Service Hours are Monday through Friday 8:00 a.m. to 4:30 p.m. Pacific Standard Time.

Voice: (800) 322-6337
Fax: (323) 582-2941
E-mail: support@adj.com

Warning! To prevent or reduce the risk of electrical shock or fire, do not expose this unit to rain or moisture.

Caution! There are no user serviceable parts inside this unit. Do not attempt any repairs yourself, doing so will void your manufactures warranty. In the unlikely event your unit may require service please contact ADJ Products, LLC.

PLEASE recycle the shipping carton when ever possible.

MEGA GO PAR64 RGBA

Features

- Rechargeable Lithium Battery
- Multicolors
- Five Operating Modes
- Electronic Dimming 0-100%
- Built in Microphone
- DMX-512 protocol
- 3-Pin DMX Connection
- 7 DMX Modes: 1 Channel Mode, 2 Channel Mode, 4 Channel Mode, 5 Channel Mode, 6 Channel Mode, 7 Channel Mode, and 8 Channel Mode.
- ADJ RFC compatible (Not Included)
- Power Cord Daisy Chain (See page 14)

MEGA GO PAR64 RGBA

Warranty Registration

The MEGA GO PAR64 RGBA carries a 3 year limited warranty. Please fill out the enclosed warranty card to validate your purchase. All returned service items whether under warranty or not, must be freight pre-paid and accompany a return authorization (R.A.) number. The R.A. number must be clearly written on the outside of the return package. A brief description of the problem as well as the R.A. number must also be written down on a piece of paper included in the shipping carton. If the unit is under warranty, you must provide a copy of your proof of purchase invoice. You may obtain a R.A. number by contacting our customer support team on our customer support number. All packages returned to the service department not displaying a R.A. number on the outside of the package will be returned to the shipper.

MEGA GO PAR64 RGBA

Installation

The unit should be mounted using a mounting clamp (not provided), affixing it to the mounting bracket that is provided with the unit. Always ensure that the unit is firmly fixed to avoid vibration and slipping while operating. Always ensure that the structure to which you are attaching the unit is secure and is able to support a weight of 10 times the unit's weight. Also, always use a safety cable that can hold 12 times the weight of the unit when installing the fixture. The equipment must be installed by a professional, and it must be installed in a place where it is out of the reach of people's grasp.

MEGA GO PAR64 RGBA

Safety Precautions

- To reduce the risk of electrical shock or fire, do not expose this unit rain or moisture
- Do not spill water or other liquids into or on to your unit.
- Do not attempt to operate this unit if the power cord has been frayed or broken. Do not attempt to remove or break off the ground prong from the electrical cord. This prong is used to reduce the risk of electrical shock and fire in case of an internal short.
- Disconnect from main power before making any type of connection.
- Do not remove the cover under any conditions. There are no user serviceable parts inside.
- Never operate this unit when it's cover is removed.
- Never plug this unit in to a dimmer pack
- Always be sure to mount this unit in an area that will allow proper ventilation. Allow about 6" (15cm) between this device and a wall.
- Do not attempt to operate this unit, if it becomes damaged.
- This unit is intended for indoor use only, use of this product outdoors voids all warranties.
- During long periods of non-use, disconnect the unit's main power.
- Always mount this unit in safe and stable matter.
- Power-supply cords should be routed so that they are not likely to be walked on or pinched by items placed upon or against them, paying particular attention to the point they exit from the unit.
- Cleaning -The fixture should be cleaned only as recommended by the manufacturer. See page 22 for cleaning details.
- Heat -The appliance should be situated away from heat sources such as radiators, heat registers, stoves, or other appliances (including amplifiers) that produce heat.
- The fixture should be serviced by qualified service personnel when:
 - A. The power-supply cord or the plug has been damaged.
 - B. Objects have fallen, or liquid has been spilled into the appliance.
 - C. The appliance has been exposed to rain or water.
 - D. The appliance does not appear to operate normally or exhibits a marked change in performance.

1. Handling of Batteries

1.1 Do Not Short Circuit the Battery

Try to never short circuit the battery. It generates a very high current which could cause the battery to overheat which may result in electrolyte gel leakage, harmful fumes, or explosion. The LIR tabs may easily short-circuit by placing them on conductive surface. A short circuit may lead to heat build up and damage of the battery. An appropriate circuitry with PCM is employed to protect accidental short circuit of the battery pack.

1.2 Mechanical shock

Dropping the unit, impact hit, bending, etc. may cause failure or shortend life of the LIR battery.

3. Other

3.1 Battery connection

1). Direct soldering of wire leads or devices to the battery is strictly prohibited.

2). Lead tabs with pre-soldered wiring shall be spot welded to the batteries. Direct soldering may cause damage of components, such as separator and insulator, by heat build up.

3.2 Prevention of short circuit within a battery pack

There is enough insulation layers between wiring and the batteries to provide extra safety protection. The battery pack is constructed in a way that no short circuit will occur which may cause smoke or fire.

3.3 Do No Disassemble the Batteries

1). Never disassemble the batteries.

Doing this may cause a internal short circuit in the battery, which may lead to harmful fumes, fire, explosion, or other problems.

2). Electrolyte Gel is harmful

Electrolyte Gel should not leak from the LIR battery. Should the electrolyte gel come into contact with the skin or eyes, flush the

area of contact immediately with fresh water and seek medical attention immediately.

3.4 Do Not Expose the Battery to Heat or Fire

Never incinerate or dispose of the batteries in fire. This may cause an explosion, which would be very dangerous.

3.5 Do Not Expose the Battery to water or liquids

Never soak/drop the batteries in liquids such as water, seawater, drinks such as soft drinks, juices, coffee or other.

3.6 Battery Replacement

For battery replacement please contact ADJ customer support (800) 322-6337.

3.7 Do Not use a damaged Battery

The battery could be damaged during shipping, caused by shock. Should the battery be found damaged, including damages to the plastic casing of the battery, deformation of the battery package, smelling of an electrolyte, or leakage of the electrolyte gel, or other, DO NOT use the battery. A battery with a odor of electrolyte or a gel leakage should be placed away from fire to avoid fire or explosion.

4. Battery Storage

When storing the battery, it should be stored at room temperature, with a charge of at least 50%. We recommend that during long periods of storage that the battery be charged every 6 months. Doing this will prolong the life of the battery and will also make sure that the battery charge does not fall below the 30% mark.

5. Other Chemical Reaction

Because batteries utilize a chemical reaction, battery performance will deteriorate over time even if stored for a long period of time without being used. In addition, if the various usage conditions such as charge, discharge, ambient temperature, etc. are not maintained within the specified ranges, the

life expectancy of the battery maybe shortened or the device in which the battery is used may be damaged by electrolyte gel leakage. If the batteries cannot maintain a charge for long periods of time, even when they are charged correctly, this may indicate it is time to change the battery.

6. Battery Disposal

Please dispose of battery according to local regulations.

Power Supply: The ADJ MEGA GO PAR64 RGBA contains a automatic voltage switch, which will auto sense the voltage when it is plugged into the power source. With this switch there is no need to worry about the correct power voltage, this unit can be plugged in anywhere.

DMX-512: DMX is short for Digital Multiplex. This is a universal protocol used as a form of communication between intelligent fixtures and controllers. A DMX controller sends DMX data instructions from the controller to the fixture. DMX data is sent as serial data that travels from fixture to fixture via the DATA “IN” and DATA “OUT” XLR terminals located on all DMX fixtures (most controllers only have a DATA “OUT” terminal).

DMX Linking: DMX is a language allowing all makes and models of different manufactures to be linked together and operate from a single controller, as long as all fixtures and the controller are DMX compliant. To ensure proper DMX data transmission, when using several DMX fixtures try to use the shortest cable path possible. The order in which fixtures are connected in a DMX line does not influence the DMX addressing. For example; a fixture assigned a DMX address of 1 may be placed anywhere in a DMX line, at the beginning, at the end, or anywhere in the middle. When a fixture is assigned a DMX address of 1, the DMX controller knows to send DATA assigned to address 1 to that unit, no matter where it is located in the DMX chain.

Data Cable (DMX Cable) Requirements (For DMX Operation):

The MEGA GO PAR64 RGBA can be controlled via DMX-512 protocol. The MEGA GO PAR64 RGBA has 7 DMX channel modes, please see page 12-13 for the different modes. The DMX address is set on the back panel of the MEGA GO PAR64 RGBA. Your unit and your DMX controller require a standard 3-pin XLR connector for data input and data output (Figure 1). We recommend Accu-Cable DMX cables. If you are making your own cables, be sure to use standard 110-120 Ohm shielded cable (This cable may be purchased at almost all pro lighting stores). Your cables should be made with a male and female XLR connector on either end of the cable. Also remember that DMX cable must be daisy chained and cannot be split.



Figure 1

Notice: Be sure to follow figures two and three when making your own cables. Do not use the ground lug on the XLR connector. Do not connect the cable's shield conductor to the ground lug or allow the shield conductor to come in contact with the XLR's outer casing. Grounding the shield could cause a short circuit and erratic behavior.

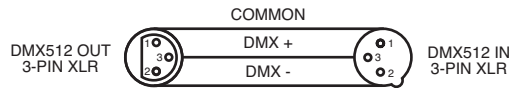


Figure 2

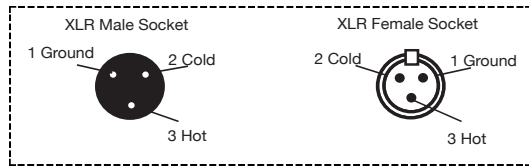


Figure 3

XLR Pin Configuration
Pin 1 = Ground
Pin 2 = Data Compliment (negative)
Pin 3 = Data True (positive)

Special Note: Line Termination. When longer runs of cable are used, you may need to use a terminator on the last unit to avoid erratic behavior. A terminator is a 110-120 ohm 1/4 watt resistor which is connected between pins 2 and 3 of a male XLR connector (DATA + and DATA -). This unit is inserted in the female XLR connector of the last unit in your daisy chain to terminate the line. Using a cable terminator (ADJ part number Z-DMX/T) will decrease the possibilities of erratic behavior.



Termination reduces signal errors and avoids signal transmission problems and interference. It is always advisable to connect a DMX terminal. (Resistance 120 Ohm 1/4 W) between PIN 2 (DMX-) and PIN 3 (DMX+) of the last fixture.

Figure 4

5-Pin XLR DMX Connectors. Some manufactures use 5-pin DMX-512 data cables for DATA transmission in place of 3-pin. 5-pin DMX fixtures may be implemented in a 3-pin DMX line. When inserting standard 5-pin data cables in to a 3-pin line a cable adaptor must be used, these adaptors are readily available at most electric stores. The chart below details a proper cable conversion.

3-Pin XLR to 5-Pin XLR Conversion		
Conductor	3-Pin XLR Female (Out)	5-Pin XLR Male (In)
Ground/Shield	Pin 1	Pin 1
Data Compliment (- signal)	Pin 2	Pin 2
Data True (+ signal)	Pin 3	Pin 3
Not Used		Do Not Use
Not Used		Do Not Use

Operating Power:

There are two ways to supply power to this unit; battery power or AC power.

- AC Power - To run the unit using AC power, plug the unit into a power source, and put the Load Switch into the ON position. When using AC power make sure the Battery Switch is in the OFF position.
- Battery Power - To run the unit using Battery power, put the Load and Battery Switches in the ON position.

LED Display On/Off:

To set the LED display to turn off after 10 seconds, press the MODE button until “don” is displayed, press the UP button to display “doff”. Now the display will disappear after 10s. Press any button to turn the display on again. Be advised though that the display will turn off automatically after 10 seconds.

To set the display press the MODE button until “dXX” is displayed. Use the UP or DOWN buttons to select either:

- “don” = LED display on at all times.
- “doff” = LED display shuts off after 10 seconds.

LED Display Inversion:

Follow these instructions to flip the display 180° so that the display can be read upside down.

1. Plug the fixture in and press the MODE button until “dXX” is displayed. “XX” represents either “on” or “oFF”.
2. Press the SET UP button until “Stnd” is displayed.
3. Press the UP or DOWN buttons to reverse the display 180°.

Operating Modes:

The MEGA GO PAR64 RGBA has five operating modes:

- RGBA Mode - Choose one of the four colors to remain static or adjust the intensity of each color to make your desired color.
- Sound-Active mode - The unit will react to sound, chasing through the built in programs.
- Auto Run Mode - There are 16 Auto Run programs to choose from.
- Static Color Mode - There are 47 colors to choose from.
- DMX control mode - This function will allow you to control each individual fixtures traits with a standard DMX 512 controller such as

as the ADJ Show Designer™.

RGBA Dimmer Mode:

1. Plug the fixture in and press the MODE button until:
2. When “r.XXX” is displayed you are in Red dimming mode. Press the UP and DOWN buttons to adjust intensity.
3. When “G.XXX” is displayed you are in Green dimming mode. Press the UP and DOWN buttons to adjust intensity.
4. When “b.XXX” is displayed you are in Blue dimming mode. Press the UP and DOWN buttons to adjust intensity.
5. When “u.XXX” is displayed you are in Amber dimming mode. Press the UP and DOWN buttons to adjust intensity.
6. After you have adjusted the RGB colors to make your desired color you can then activate strobing by pressing the SET UP button to enter the Flash (strobe) mode.
7. “FS.XX” will be displayed, this is Flash mode. The Flash can be adjusted between “FS.00” (flash off) to “FS.15” (fastest flash).

Sound Active Mode:

In this mode the MEGA GO PAR64 RGBA will react to sound, and chase through the different colors.

1. Plug the fixture in and press the MODE button until “SoXX” is displayed. “XX” represents the sound active mode (1-15) currently displayed.
2. The fixture will now change via sound.
3. Press the SET UP button to adjust the sound sensitivity. “SJ-X” should be displayed. Use the UP or DOWN buttons to adjust the sensitivity. “SJ-1” is the lowest sensitivity, “SJ-8” is the highest.

Auto Run Mode:

In this mode the MEGA GO PAR64 RGBA will run 1 of 16 auto programs. The auto run program can be either a fade program or a simple color change program.

1. Plug the fixture in and press the MODE button until “APXX” is displayed. “XX” represents the program number (1-16) currently displayed.
2. After you have chosen your desired program you need to decide if you would like the program to fade through colors or simply change. Press the SET UP button until either “SP.XX” (color

change) or “F-XX” (color fade) is displayed.

3. If you select color change, use the UP and DOWN buttons to adjust the speed between “SP.01” (slowest) and “SP.99” (fastest). Once you have set your desired color change speed, press the SET UP button to move on to “F-XX” (color fade). Use the UP or DOWN buttons to set the color fade speed to “F.00”. This means the color fade is off, and the fixture will now color change at the speed you have set. To run the fixture in color fade, reverse the instructions. Set your color fade speed and set the color change speed to “SP.01”.

Static Color Mode:

1. Plug the fixture in and press the MODE button until “CLXX” is displayed.
2. There are 47 colors to choose from. Select your desired color by pressing the UP and DOWN buttons. After you have selected your desired color you can activate strobing by pressing the SET UP button to enter the Flash (strobe) mode.
3. “FS.XX” will be displayed, this is Flash mode. The Flash can be adjusted between “FS.00” (flash off) to “FS.15” (fastest flash).

DMX Mode:

Operating through a DMX controller gives the user the freedom to create their own programs tailored to their own individual needs. This function also allows you to use your fixtures as spot lights. The MEGA GO PAR64 RGBA has 7 DMX modes: 1 Channel mode, 2 Channel mode, 4 Channel mode, 5 Channel mode, 6 Channel mode, 7 Channel mode, and a 8 Channel mode. See pages 16-19 for each modes’ DMX traits.

1. This function will allow you to control each individual fixture’s traits with a standard DMX 512 controller.
2. To run your fixture in DMX mode press the MODE button until “A.XXX” is displayed. “XXX” represents the current displayed address. Use the UP or DOWN buttons to select your desired DMX address, then press the SETUP button to select your DMX Channel mode.
3. Use the UP or DOWN buttons to scroll through the DMX Channel modes. The Channel modes are listed below:
To run the 1 Channel Mode, press the MODE button until “Ch01”

is displayed. This is the 1 Channel DMX Mode.

To run the 2 Channel Mode, press the MODE button until “Ch02” is displayed. This is the 2 Channel DMX Mode.

To run the 4 Channel Mode, press the MODE button until “Ch04” is displayed. This is the 4 Channel DMX Mode.

To run the 5 Channel Mode, press the MODE button until “Ch05” is displayed. This is the 5 Channel DMX Mode.

To run the 6 Channel Mode, press the MODE button until “Ch06” is displayed. This is the 6 Channel DMX Mode.

To run the 7 Channel Mode, press the MODE button until “Ch07” is displayed. This is the 7 Channel DMX Mode.

To run the 8 Channel Mode, press the MODE button until “Ch08” is displayed. This is the 8 Channel DMX Mode.

4. Please see pages 16-19 for DMX values and traits.
5. After you have chosen your desired DMX Channel mode plug in the fixture via the XLR connections to any standard DMX controller.

ADJ RFC (Remote Control) On/Off:

This function is used to activate and deactivate the ADJ RFC (Remote Control). When this function is activated you can control the fixture using the ADJ RFC. Please see page 15 for the controls and functions.

1. Plug the fixture in and press the MODE button until “dXX” is displayed. “XX” represents either “on” or “oFF”.
2. Press the SET UP button until “rFXX” is displayed. “XX” represents either “on” or “oF”.
3. Press the UP or DOWN buttons to either activate the remote function (On) or deactivate it (Off).

Default Running Mode:

This is a default running mode. When this mode is activated all modes will return to their default settings.

1. Plug the fixture in and press the MODE button until “dXX” is displayed. “XX” represents either “on” or “oFF”.
2. Press the SET UP button until “dEFA” is displayed.
3. Press the UP and DOWN buttons simultaneously. Press the MODE button to exit.

Battery Life:

This menu is used to check/display the battery life.

1. Plug the fixture in and press the MODE button until “bXXX” is displayed. “XXX” represents a number between 0-100. The number that is displayed is the remaining battery life. If “b---” is displayed, it means either the battery is dead or your running the unit on AC power.

Master-Slave Configuration:

This function will allow you to link units together to run in a Master-Slave mode. In Master-Slave operation one unit will act as the controlling unit and the others will react to the controlling units built-in programs. Any unit can act as a Master or as a Slave however, only one unit can be programmed to act as the “Master.”

Master-Slave Connections and Settings:

1. Daisy chain your units via the XLR connector on the rear of the unit. Use standard XLR data cables to link your units together. Remember that the Male XLR connector is the input and the Female XLR connector is the output. The first unit in the chain (master) will use the female XLR connector only. The last unit in the chain will use the male XLR connector only.
2. Set the “Slave” unit to DMX addressing and then connect the “Slave” unit to the “Master.”
3. Set the “Master” unit to your desired mode of operation. The “Slave” unit will now follow the “Master”.

With this feature you can connect the fixtures to one another using the IEC input and output sockets. The quantity that can be connected is 30 fixtures maximum. After 30 fixtures you will need to use a new power outlet. They must be the same fixtures. DO NOT mix fixtures.

NOTE: Fixtures cannot be power cord daisy chained and run by battery power.

MEGA GO PAR64 RGBA**ADJ RFC Operation**

The **ADJ RFC** remote (sold separately) has many different functions and allows you to control your MEGA GO PAR64 RGBA from long distance. The **ADJ RFC** remote can control your system up to 150 ft. To use the remote you must first activate the fixtures receiver, to activate the receiver please see the instructions on page 13.

BLACKOUT - Pressing this button will blackout the fixture. Press and hold this button for 3 seconds to return to default settings and default running mode.

AUTO RUN - This button will run 1 of 16 automatic programs. You can scroll through the 16 programs using the “+” and “-” buttons. You can control the speed of the programs by pressing the SPEED button and then pressing the “+” and “-” buttons. You can control the fade speed of the Auto Run by pressing the FLASH button and then pressing the “+” and “-” buttons.

PROGRAM SELECTION - This button will activate the static color mode. Use the “+” or “-” to scroll through the 47 colors. Once you have found your color, you can press the Flash Button to activate strobing and use the “+” or “-” to adjust the Flash rate.

FLASH - This button will activate the flash (strobe) effect or adjust the sound sensitivity while in sound active mode. You can adjust the flash speed or sound sensitivity level by pressing the “+” and “-” buttons.

SPEED - Press this button and use the “+” & “-” buttons to adjust the speed of the Auto run.

SOUND ACTIVE - This button activates sound active mode. Use the “+” or “-” to scroll through the 15 sound active programs. Press the FLASH button and use the “+” & “-” buttons to adjust the sound sensitivity.

R G B A - Press either one of these buttons and then press the “+” or “-” to adjust the brightness. Press the Flash Button to activate strobing and use the “+” or “-” to adjust the Flash rate.

“+” and “-” - Use these buttons to adjust the flash rate, speed of the Auto Run mode, sound sensitivity, and the intensity output of the RGB colors. These buttons are also used to scroll through the different static colors, auto run programs, and sound active programs.

MEGA GO PAR64 RGBA**1 Channel Mode**

Channel	Value	Function
1	0 - 255	COLOR MACROS (Please see the color macro chart page 20)

MEGA GO PAR64 RGBA**2 Channel Mode**

Channel	Value	Function
1	0 - 255	COLOR MACROS (Please see the color macro chart page 20)
2	0 - 255	DIMMER 0% - 100%

MEGA GO PAR64 RGBA**4 Channel Mode**

Channel	Value	Function
1	0 - 255	RED 0% - 100%
2	0 - 255	GREEN 0% - 100%
3	0 - 255	BLUE 0% - 100%
4	0 - 255	AMBER 0% - 100%

MEGA GO PAR64 RGBA**5 Channel Mode**

Channel	Value	Function
1	0 - 255	RED 0% - 100%
2	0 - 255	GREEN 0% - 100%
3	0 - 255	BLUE 0% - 100%
4	0 - 255	AMBER 0% - 100%
5	0 - 255	MASTER DIMMER 0% - 100%

MEGA GO PAR64 RGBA		6 Channel Mode
Channel	Value	Function
1	0 - 255	RED 0% - 100%
2	0 - 255	GREEN 0% - 100%
3	0 - 255	BLUE 0% - 100%
4	0 - 255	AMBER 0% - 100%
5	0 - 255	MASTER DIMMER 0% - 100%
6	0 - 255	COLOR MACROS (Please see the color macro chart page 20)

Channels 1, 2, 3, & 4 will not work, when Channel 6 is being used.

MEGA GO PAR64 RGBA		7 Channel Mode
Channel	Value	Function
1	0 - 255	RED 0% - 100%
2	0 - 255	GREEN 0% - 100%
3	0 - 255	BLUE 0% - 100%
4	0 - 255	AMBER 0% - 100%
5	0 - 255	COLOR MACROS (Please see the color macro chart page 20)
6	0 - 15 16 - 255	STROBING NOTHING STROBING SLOW - FAST
7	1 - 255	MASTER DIMMER 0% - 100%

Channels 1, 2, 3, & 4 will not work, when Channel 5 is being used.

MEGA GO PAR64 RGBA		8 Channel Mode
Channel	Value	Function
1	0 - 255	RED 0% - 100%
2	0 - 255	GREEN 0% - 100%
3	0 - 255	BLUE 0% - 100%
4	0 - 255	AMBER 0% - 100%
5	0 - 255	COLOR MACROS (Please see the color macro chart page 20)
6	0 - 15 16 - 255 0 - 255 0 - 31 32 - 255	STROBING/PROGRAM SPEED/SOUND SENSITIVITY NOTHING STROBING SLOW - FAST PROGRAM SPEED SLOW - FAST SOUND SENSITIVITY OFF SOUND SENSITIVITY LEAST - MOST
7	0 - 7 8 - 15 16 - 23 24 - 31 32 - 39 40 - 47 48 - 55 56 - 63 64 - 71 72 - 79 80 - 87 88 - 95 96 - 103 104 - 111 112 - 119 120 - 127	PROGRAMS/SOUND ACTIVITY OFF PROGRAM 1 PROGRAM 2 PROGRAM 3 PROGRAM 4 PROGRAM 5 PROGRAM 6 PROGRAM 7 PROGRAM 8 PROGRAM 9 PROGRAM 10 PROGRAM 11 PROGRAM 12 PROGRAM 13 PROGRAM 14 PROGRAM 15

MEGA GO PAR64 RGBA		8 Channel Mode
Channel	Value	Function
7	128 - 135	PROGRAMS/SOUND ACTIVITY
	136 - 143	PROGRAM 16
	144 - 151	SOUND MODE 1
	152 - 159	SOUND MODE 2
	160 - 167	SOUND MODE 3
	168 - 175	SOUND MODE 4
	176 - 183	SOUND MODE 5
	184 - 191	SOUND MODE 6
	192 - 199	SOUND MODE 7
	200 - 207	SOUND MODE 8
	208 - 215	SOUND MODE 9
	216 - 223	SOUND MODE 10
	224 - 231	SOUND MODE 11
	232 - 239	SOUND MODE 12
	240 - 247	SOUND MODE 13
248 - 255	SOUND MODE 14	
8	1 - 255	MASTER DIMMER
		0% - 100%

Channels 1, 2, 3, & 4 will not work, when Channel 5 is being used.

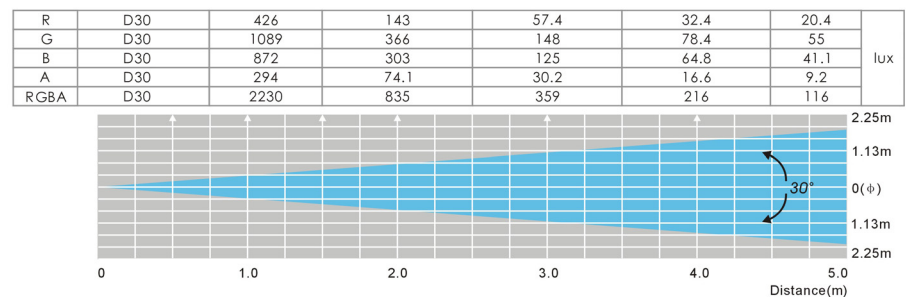
When using Channels 1-5, Channel 6 will control strobing.

When using Channel 7 values 8-135, Channel 6 will control the speed of the programs, Channel 5 will control the Fade time of the programs.

When using Channel 7 values 136-255, Channel 6 will control the sound sensitivity. Sound sensitivity control will start working after Channel 6 is past the DMX value of 31.

MEGA GO PAR64 RGBA						Color Macro Chart					
Color No.	DMX VAULE	RGBA COLOR INTENSITY				Color No.	DMX VAULE	RGBA COLOR INTENSITY			
		RED	GREEN	BLUE	AMBER			RED	GREEN	BLUE	AMBER
Color1 (off)	0-20	0	0	0	0	Color25	136-140	254	5	97	0
Color2	21-25	255	0	0	0	Color26	141-145	175	77	173	0
Color3	26-30	0	255	0	0	Color27	146-150	119	130	199	0
Color4	31-35	0	0	255	0	Color28	151-155	147	164	212	0
Color5	36-40	0	0	0	255	Color29	156-160	88	2	163	0
Color6	41-45	255	255	0	0	Color30	161-165	0	38	86	0
Color7	46-50	255	0	255	0	Color31	166-170	0	142	208	0
Color8	51-55	255	0	0	255	Color32	171-175	52	148	209	0
Color9	56-60	0	255	255	0	Color33	176-180	1	134	201	0
Color10	61-65	0	255	0	255	Color34	181-185	0	145	212	0
Color11	66-70	0	0	255	255	Color35	186-190	0	121	192	0
Color12	71-75	255	255	255	0	Color36	191-195	0	129	184	0
Color13	76-80	255	255	0	255	Color37	196-200	0	83	115	0
Color14	81-85	0	255	255	255	Color38	201-205	0	97	166	0
Color15	86-90	255	0	255	255	Color39	206-210	1	100	167	0
Color16	91-95	255	255	255	255	Color40	211-215	0	40	86	0
Color17	96-100	255	206	143	0	Color41	216-220	209	219	182	0
Color18	101-105	254	177	153	0	Color42	221-225	42	165	85	0
Color19	106-110	254	192	138	0	Color43	226-230	0	46	35	0
Color20	111-115	254	165	98	0	Color44	231-235	8	107	222	0
Color21	116-120	254	121	0	0	Color45	236-240	107	156	231	0
Color22	121-125	176	17	0	0	Color46	241-245	165	198	247	0
Color23	126-130	96	0	11	0	Color47	246-250	0	0	189	0
Color24	131-135	234	139	171	0	Color48	251-255	165	35	1	0

MEGA GO PAR64 RGBA Photometric Chart



Battery Status:

This function is used to check the life status of the battery. Plug the fixture in and press the MODE button until “bXXX” is displayed. “XXX” represents an number between “000” and “100”. The number that is displayed is the remaining battery life. If “b---” is displayed, it means the battery is dead or you are running the unit on AC power. ***Please do not let the battery fully die, this severly shortens the life of the battery. Try to not let the battery fall below 30% charge.***

Example: If “b050” is displayed, the battery is at half life. If “b025” is displayed, the battery is at 25% life.

NOTE: When the battery is charging or if the battery life is below 30% the digital display will flash.

NOTE: *After 20 seconds of inactivity, the display will revert back to the battery life display.*

Battery Recharge: To recharge the battery, plug the supplied AC cord into the AC input on the side of the unit and plug the other end into a matching power supply. It takes about 6.5 hours to reach full charge. **The display will STOP flashing when the unit reaches 100% charge.**

Note: *When unplugging the unit from charging and then applying power via battery, there will be a minimal charge drop.*

For a faster recharge, put the Load Switch in the “Off” position and the Battery Switch in the “ON” position.

Disconnect the unit from its power source. Remove the power cord from the unit. Once the cord has been removed, you will find that the fuse holder is located inside the power socket. Insert a flat-head screw driver into the power socket and gently pry out the fuse holder. Remove the bad fuse and replace with a new one. The fuse holder also has a holder for a spare fuse.

Listed below are a few common problems the user may encounter, with solutions.

Unit not responding to DMX:

1. Check that the DMX cables are connected properly and are wired correctly (pin 3 is “hot”; on some other DMX devices pin 2 may be ‘hot’). Also, check that all cables are connected to the right connectors; it does matter which way the inputs and outputs are connected.

Unit does not respond to sound:

1. Quiet or high pitched sounds will not activate the unit.
2. Make sure that Sound Active mode is activated.

Due to fog residue, smoke, and dust cleaning the internal and external optical lenses must be carried out periodically to optimize light output.

1. Use normal glass cleaner and a soft cloth to wipe down the outside casing.
2. Clean the external optics with glass cleaner and a soft cloth every 20 days.
3. Always be sure to dry all parts completely before plugging the unit back in.

Cleaning frequency depends on the environment in which the fixture operates (i.e. smoke, fog residue, dust, dew).

MEGA GO PAR64 RGBA

Warranty

MANUFACTURER'S LIMITED WARRANTY

- A. ADJ Products, LLC hereby warrants, to the original purchaser, ADJ Products, LLC products to be free of manufacturing defects in material and workmanship for a prescribed period from the date of purchase (see specific warranty period on reverse). This warranty shall be valid only if the product is purchased within the United States of America, including possessions and territories. It is the owner's responsibility to establish the date and place of purchase by acceptable evidence, at the time service is sought.
- B. **For warranty service you must obtain a Return Authorization number (RA#) before sending back the product—please contact ADJ Products, LLC Service Department at 800-322-6337.** Send the product only to the ADJ Products, LLC factory. All shipping charges must be pre-paid. If the requested repairs or service (including parts replacement) are within the terms of this warranty, ADJ Products, LLC will pay return shipping charges only to a designated point within the United States. If the entire instrument is sent, it must be shipped in its original package. No accessories should be shipped with the product. If any accessories are shipped with the product, ADJ Products, LLC shall have no liability whatsoever for loss of or damage to any such accessories, nor for the safe return thereof.
- C. This warranty is void if the serial number has been altered or removed; if the product is modified in any manner which ADJ Products, LLC concludes, after inspection, affects the reliability of the product; if the product has been repaired or serviced by anyone other than the ADJ Products, LLC factory unless prior written authorization was issued to purchaser by ADJ Products, LLC; if the product is damaged because not properly maintained as set forth in the instruction manual.
- D. This is not a service contract, and this warranty does not include maintenance, cleaning or periodic check up. During the period specified above, ADJ Products, LLC will replace defective parts at its expense with new or refurbished parts, and will absorb all expenses for warranty service and repair labor by reason of defects in material or workmanship. The sole responsibility of ADJ Products, LLC under this warranty shall be limited to the repair of the product, or replacement thereof, including parts, at the sole discretion of ADJ Products, LLC. All products covered by this warranty were manufactured after August 15, 2012, and bear indentifying marks to that effect.
- E. ADJ Products, LLC reserves the right to make changes in design and/or improvements upon its products without any obligation to include these changes in any products theretofore manufactured.

No warranty, whether expressed or implied, is given or made with respect to any accessory supplied with products described above. Except to the extent prohibited by applicable law, all implied warranties made by ADJ Products, LLC in connection with this product, including warranties of merchantability or fitness, are limited in duration to the warranty period set forth above. And no warranties, whether expressed or implied, including warranties of merchantability or fitness, shall apply to this product after said period has expired. The consumer's and/or Dealer's sole remedy shall be such repair or replacement as is expressly provided above; and under no circumstances shall ADJ Products, LLC be liable for any loss or damage, direct or consequential, arising out of the use of, or inability to use, this product.

This warranty is the only written warranty applicable to ADJ Products, LLC Products and supersedes all prior warranties and written descriptions of warranty terms and conditions heretofore published. This warranty was revised after December 1, 2012.

MANUFACTURER'S LIMITED WARRANTY PERIODS:

- **Lighting Products = 1-year (365 days) Limited Warranty** (Such as: Special Effect Lighting, Intelligent Lighting, UV lighting, Strobes, Fog Machines, Bubble Machines, Mirror Balls, Par Cans, Trussing, Lighting Stands etc. excluding LED and lamps)
- **Laser Products = 90-Day Limited Warranty**
- **L.E.D. Products = 3-year (1095 days) Limited Warranty** (excluding motors, PCB boards, and power supplies, which have a 1-year (365 day Limited Warranty) and batteries which have a 180 day limited warranty). Only the L.E.D.s carry a 3-year warranty

ADJ Products, LLC - www.adj.com - MEGA GO PAR64 RGBA User Manual Page 23

MEGA GO PAR64 RGBA

Specifications

Model: MEGA GO PAR64 RGBA

Voltage:	100V ~ 240V/50~60Hz
Battery Life:	8 Hours Full On (Full Charge)
Battery Lifetime*:	Average Lifetime is 500 Charges
LEDs:	177 x 10mm LED's (36 Red, 54 Green, 53 Blue, & 34 Amber)
Beam Angle:	30 Degrees
Working Position:	Any safe working position
Power Draw:	22W
Power Cord Daisy Chain:	30 Fixtures Max.
Fuse:	2 Amp
Weight:	5lbs./ 2.2Kgs.
Dimensions:	10.5" (L) x 10.25" (W) x 4.5" (H) 262 x 260 x 110mm
Colors:	RGB Color Mixing
DMX Channels:	7 DMX Modes: 1 Channel Mode, 2 Channel Mode, 4 Channel Mode, 5 Channel Mode, 6 Channel Mode 7 Channel Mode, & 8 Channel Mode
Warranty**:	3 Year (1,095 days) Limited Warranty

*This depends on charging frequency

**See Warranty page for details

Auto Sensing Voltage: This fixture contains a automatic voltage switch, which will auto sense the voltage when it is plugged into the power source.

Please Note: Specifications and improvements in the design of this unit and this manual are subject to change without any prior written notice.

ADJ Products, LLC
6122 S. Eastern Ave. Los Angeles, CA 90040 USA
Tel: 323-582-2650 / Fax: 323-725-6100
Web: www.adj.com / E-mail: info@adj.com

A.D.J. Supply Europe B.V.
Junostraat 2
6468 EW Kerkrade
Netherlands
www.adj.com

Follow Us On:



facebook.com/americanadj
twitter.com/americanadj
youtube.com/adjlighting

Tel: +31 45 546 85 00 / Fax: +31 45 546 85 99